

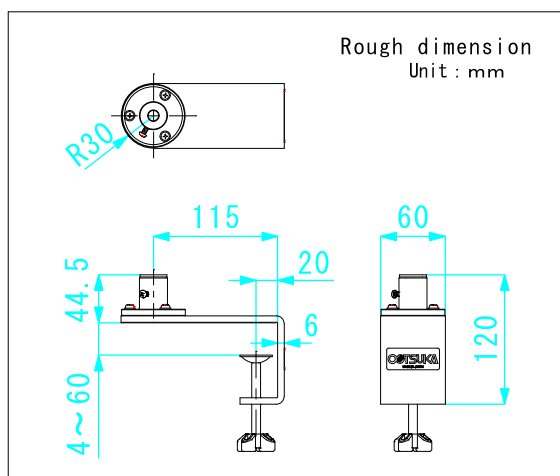
# Clamp near a wall !

## OFFSET CLAMP

Free Arm Illuminated Magnifier option manufactured by OTSUKA OPTICS CO., LTD. is now for sale.

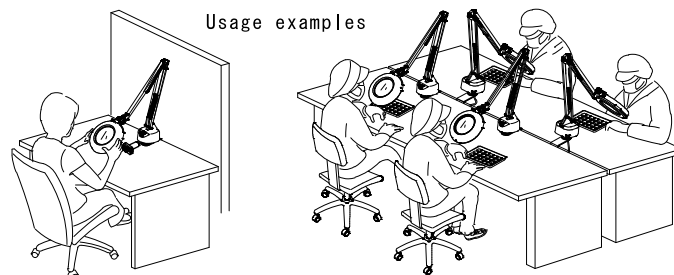


An example of installing an OFFSET CLAMP



Rough dimension  
Unit: mm

The OFFSET CLAMP is an optional clamp that allows you to fully accommodate the main body within the workbench and to increase the distance between the free arm and the wall. This is for when the mounting position is limited by the clamp of the standard Free Arm Illuminated Magnifier.



Installation near a wall

Opposite work benches?

SKKL-F, SKKL-CF, ENVL-F, ENVL-CF, LEK WIDE-F, LEK WIDE-CF,  
LEKs WIDE-F, LEKs WIDE-CF, LSK-F, LSK-CF, LSKs-F, LSKs-CF,  
O-LIGHT III-L, BORELOUPE-F, MODELIGHT EL-F, BARLIGHT-FREEARM

Attention: In some circumstances, customers may not be able to replace relevant models manufactured before March 2014. Please contact us if you have a such a request.