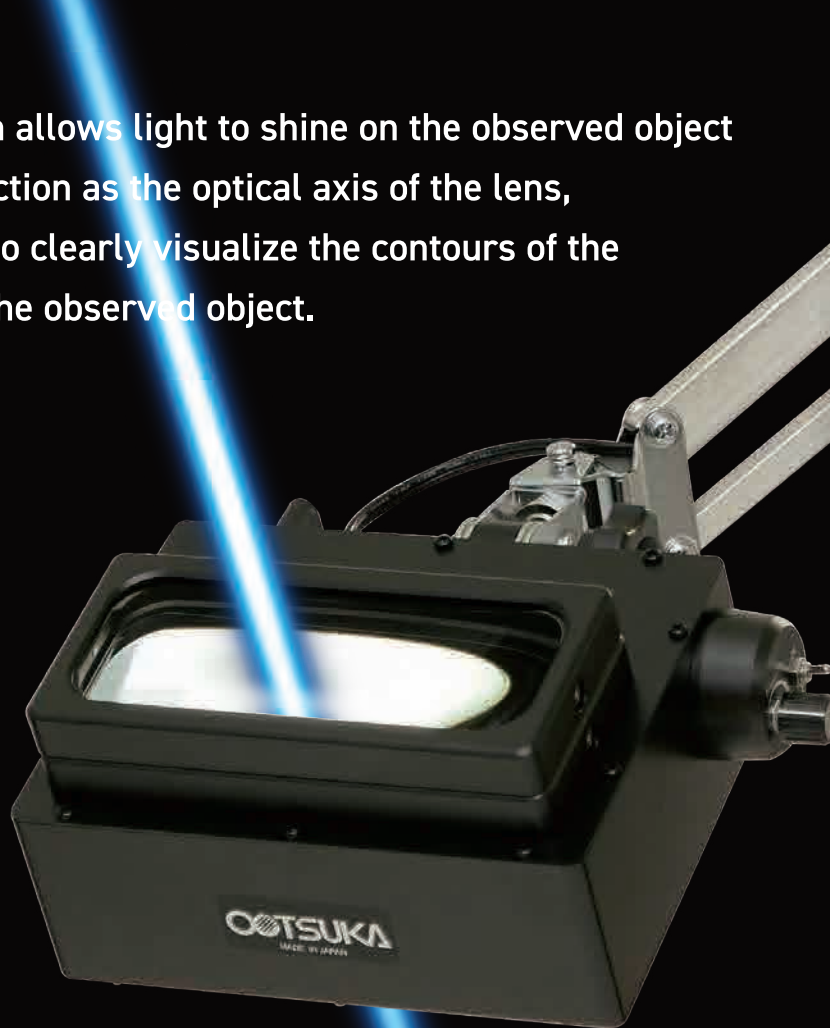


# Magnifiers are finally coming to coaxial illumination

Coaxial illumination allows light to shine on the observed object from the same direction as the optical axis of the lens, making it possible to clearly visualize the contours of the uneven surface of the observed object.



LED Coaxial Illumination Magnifier

# Surflight Series

The light in the image is a composite of the image of coaxial illumination.

# It is a fusion of an illumination magnifier and coaxial epi-illumination.

- ◆ It clearly captures the contours of the engravings and the unevenness of the observed object. The light irradiated on the concave area can be captured and observed as it is.
- ◆ Magnification can be switched between 2X and 4X.
- ◆ The lens is rectangular, close to the human field of view, and allows both eyes to see the object being observed in three dimensions.
- ◆ The lens is coated with AR coating (anti-reflection coating) to reduce unpleasant glare.

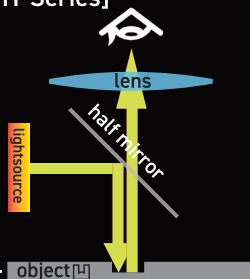


## A Comparison of Coaxial Illumination and Ring Illumination

### Coaxial Fall Illumination [SURFLIGHT Series]

#### Features

- The outline of the imprint is clearly visible. ※1
- Fine surface irregularities are emphasized. ※2
- There is no darkening of concave areas.
- Since the irradiation direction is constant
- Since the irradiation direction is constant, reflected light from specular workpieces can easily escape.



An observation of the surface of an object



Observe at SURFLIGHT 4x

Carbon-like surface

An observation of the unevenness of the object



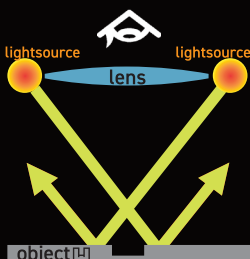
Observe at SURFLIGHT 4x

Silver engraved

### Ring Illumination [ENVL Series]

#### Features

- Uniform illumination of the object.
- Good color reproducibility.
- Suitable for work lighting as it does not cast shadows.



Observe at ENVL 4x

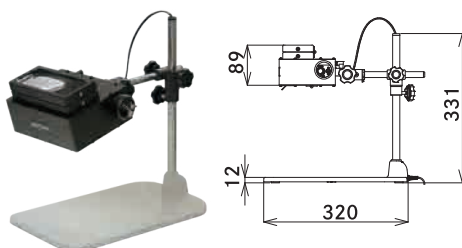
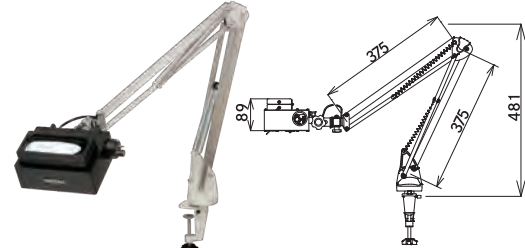
Carbon-like surface



Observe at ENVL 4x

Silver engraved

## Series Lineup and Main Specifications

	SL130B	SL130F
Product dimensions (Unit: mm)		
Main unit	3.0kg	3.1kg
Light source	White LED	
continuous dimming	Yes (100%~0%)	
Lens material	Optical glass lens with AR (anti-reflection) coating	
Lens magnification (area magnification)	2X, 4X switchable	
Lens size	Effective range 130X50mm	
AC adapter model	UNI336-2415(24V/1.5A) I: 270g	
AC adapter input voltage	AC100V~240V 50/60Hz	
AC Adapter Plug Shape	A plug	
AC Adapter Cord Length	1800mm	
Rated Power Consumption	16 W	
Operating Temperature Range	0°C~35°C	
Dust and waterproof protection class	IP30 (for indoor use only)	

